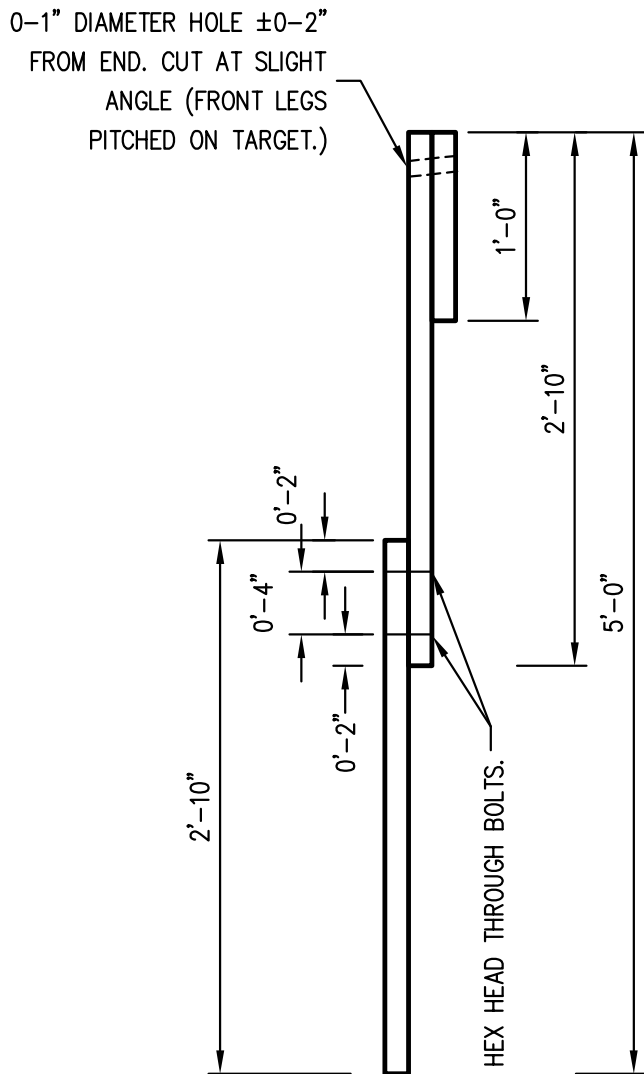
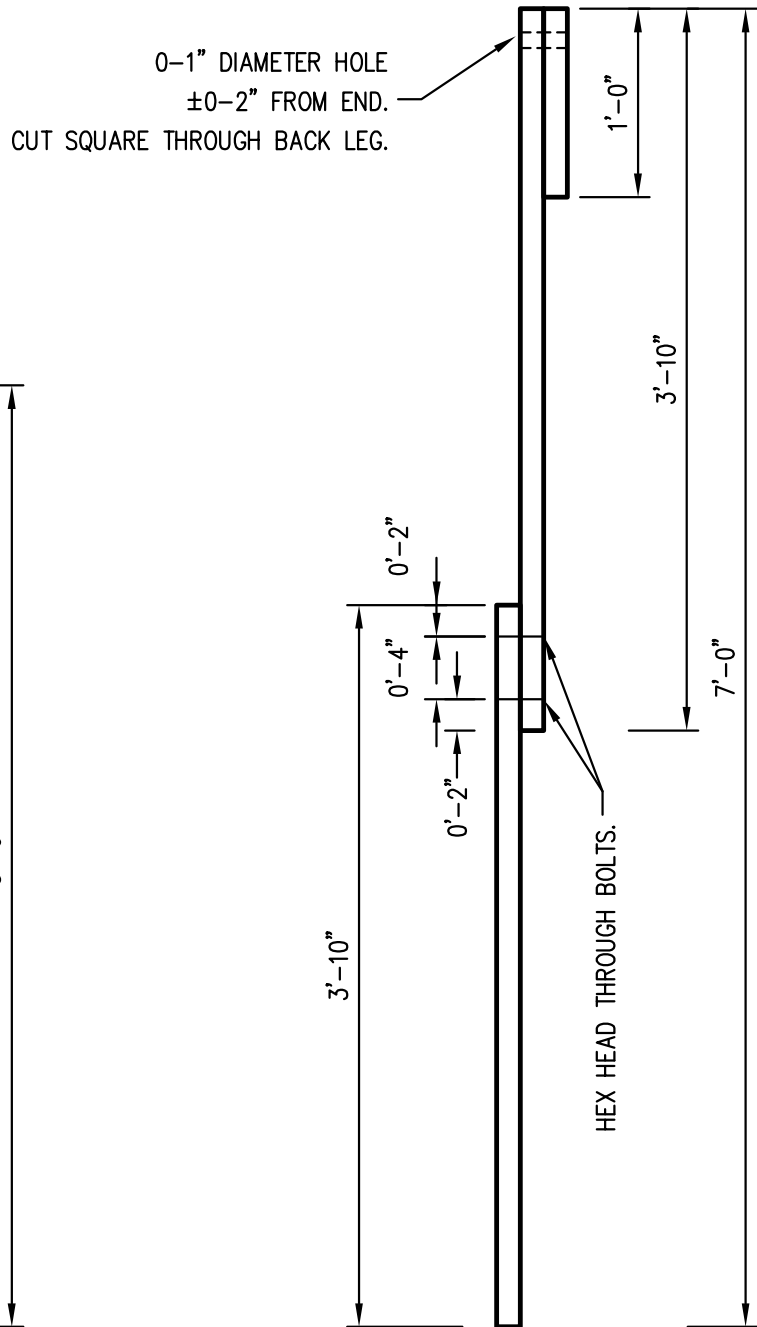


COLLAPSIBLE TARGET LEGS

DRAWING NOT TO SCALE



FRONT LEG (2)



BACK LEG (1)

BOARDS USED ARE 2x4'S.

NUTS, WASHERS & BOLTS ARE 3/8". BOLTS ARE 0'-3 1/2" LONG.

RECESSING BOLT HEADS & NUTS INTO WOOD NOT ESSENTIAL.